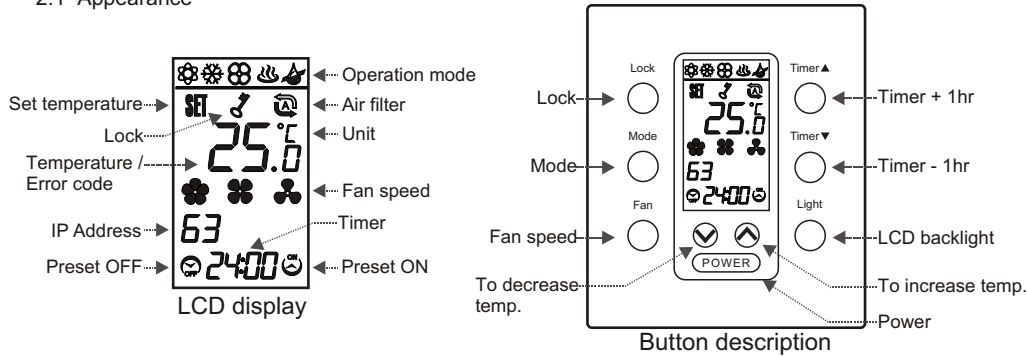


1. CAUTIONS :

- 1.1 Read the wiring diagram and operation manual before wiring; Any damages cause by wrong wiring are beyond our warranty.
- 1.2 Do not install the power board in humid environment to avoid signal interference.
- 1.3 Use the communication wire UL2464 / 24 AWG or 26 AWG 3C twin -wire braid shield with isolated feature.

2. SPECIFICATION :

2.1 Appearance



2.2 Operation temperature : 0°C~50°C , < 90%RH (Non - Condensing)

2.3 Storage temperature : -10°C~60°C , < 90%RH (Non - Condensing)

2.4 Power supply : Power supplied by power board - DC 5V (If communication wire is over 30 meters, an extra DC power is required) (DC5V 250mA)

2.5 Temperature control range : 0°C to 50°C; in 0.5°C steps.

2.6 Key card (Remote control) Input x 1

2.7 JP1 function selection jumper x 1

3. FUNCTION DESCRIPTION :

3.1 Buttons description

3.1.1 Mode

- 3.1.1.1 Press Mode button to set auto air conditioning, cooling, fan, heating and dehumidifying mode.
- 3.1.1.2 When switching to auto air conditioning, cooling or heating mode, Fan speed will be switched to auto.
- 3.1.1.3 When switching to fan or dehumidifying mode, Fan speed will be switched to LOW.
- 3.1.1.4 Auto air conditioning is only available when JP1 short circuit.

3.1.2 Fan

- 3.1.2.1 Under auto air conditioning, cooling and heating mode, 4 fan speeds (auto, high, medium and low) are effective by pressing Fan button.
- 3.1.2.2 Under fan and dehumidifying mode, 3 fan speeds (high, medium and low) are effective by pressing Fan button.

3.1.3 Set temperature

- 3.1.3.1 Button: Adjust temperature +0.5°C, able to set the max limit for heating when press for 3 second in power off status, range 0°C~ 35°C, the heating symbol will blink. It will save the setting after 10 seconds.
- 3.1.3.2 Button: Adjust temperature -0.5°C, able to set the min limit for cooling when press for 3 second in power off status, range 0°C~ 35°C, the cooling symbol will blink. It will save the setting after 10 seconds.
- 3.1.3.3 Under auto air conditioning, cooling, heating and dehumidifying mode, press and to adjust temperature. Temperature control range from 10°C to 35°C, in 0.5°C steps.

3.1.3.4 Temperature setting is not effective under Fan mode.

3.1.3.5 While setting temperature, the display will show SET and set point value then returns to room temperature display in 3 seconds.

3.1.3.6 Whenever set point was adjusted (by LCN or PC), the display will show SET and set point for 3 seconds and return to room temperature.

3.1.4 Lock

3.1.4.1 Panel lock : Regardless of mode (except error code alarm), press Lock button for 3 seconds to lock / unlock the panel. Panel lockup status : when locked, the icon displayed in panel.

3.1.4.2 Main control lock : When the icon flashes, it indicates the panel was locked by main controller, DEI-758FLC can not be unlocked by itself.

3.1.4.3 When lock icon displayed, mode setting, fan speed selection and temperature setting are not effective.

3.1.5 Power control : Regardless of mode (except error code alarm), press POWER button to ON / OFF air conditioning.

3.1.6 Timer

3.1.6.1 In power ON status, press Timer or Timer to preset A / C OFF. Timer setting range from 1 to 24 hours, in 1 hr steps.

3.1.6.2 In power OFF status, press Timer or Timer to preset A / C ON. Timer setting range from 1 to 24 hours, in 1 hr steps.

3.1.6.3 It displays icon to indicate A / C preset ON ; It displays icon to indicate A / C preset OFF.

3.1.6.4 After timer set, the panel will countdown by itself ; When time is up, panel will send a signal to power board to ON / OFF power board (A / C).

3.1.6.5 For the duration of timer, press Power button, Timer or Timer , it will clear timer set.

3.1.7 Light : Regardless of mode (except error code alarm), press Light button to control LCD backlight ON / OFF ; The backlight will be on constantly for error codes.

3.1.8 Room key card (remote) control input

3.1.8.1 In power ON status, card key input from Short to Open, it will switch off power board.

3.1.8.2 In power ON status, card key input from Open to Short, no response.

3.1.8.3 In power OFF status, card key input from Short to Open, no response.

3.1.8.4 In power OFF status, card key input from Open to Short, it will switch on power board.

3.1.9 Auto air conditioning in power off status : while 758PN is executing auto air conditioning in power off status, room temperature flashes.

4. Error elimination :

4.1 Error codes display

- 4.1.1 "E1" sensor failure
- 4.1.2 "EE" memory failure
- 4.1.3 "FA" fire alarm (room temperature over 55°C)
- 4.1.4 "EC" communication failure (communication failure for 20 seconds)
- 4.1.5 "E3" PCB board is over high
- 4.1.6 "tA" PCB board is over 95°C