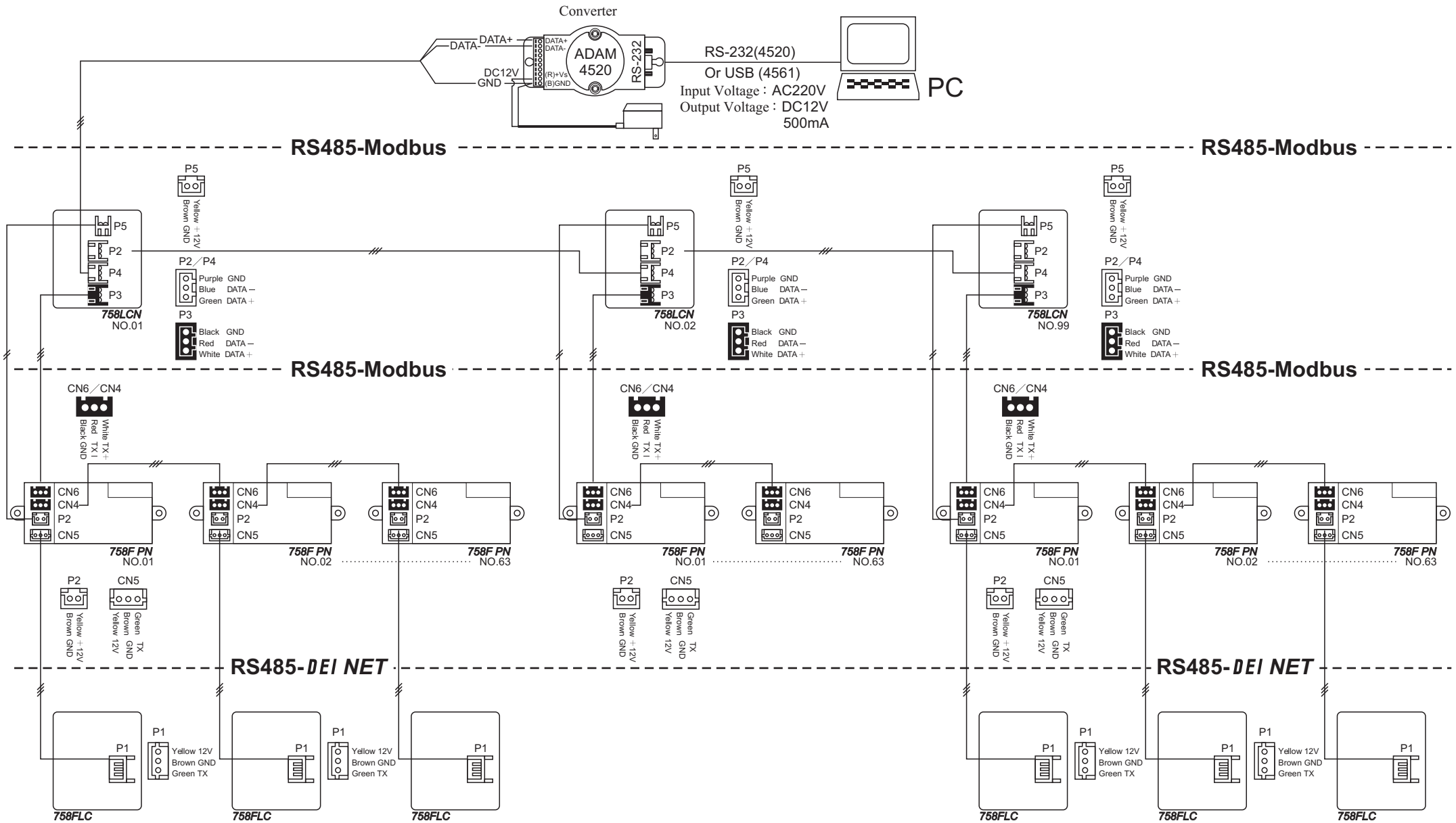


DEI-950(758F) Network Wiring Diagram

Version 01

5INSL00504



- Notice :
1. Strongly suggest using ADAM-4561 or ADAM-4520 (ADAM-4520 need additional DC power supply.)
 2. Communication wire is suggested using UI2464 24AWG standard with net and communication isolated wire.
 3. In order to avoid interference, communication wire should keep some distance with AC wire and don't put together in the same pipe.