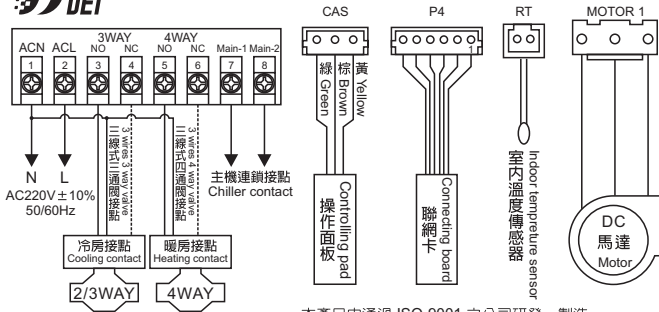




DEI-1001



⚠ 注意事項：

1. 不可打開本控制器上蓋。
2. 傳感器(RT)接點請置於回風口處。

⚠ Attention :

1. Do not open the cover.
2. Temp. sensor must be installed in return intake.

本產品由通過 ISO-9001 之公司研發 · 製造

This product is Researched/Developed & Produced by Taiwan DEI company with ISO-9001 certification.

5LABLL00698