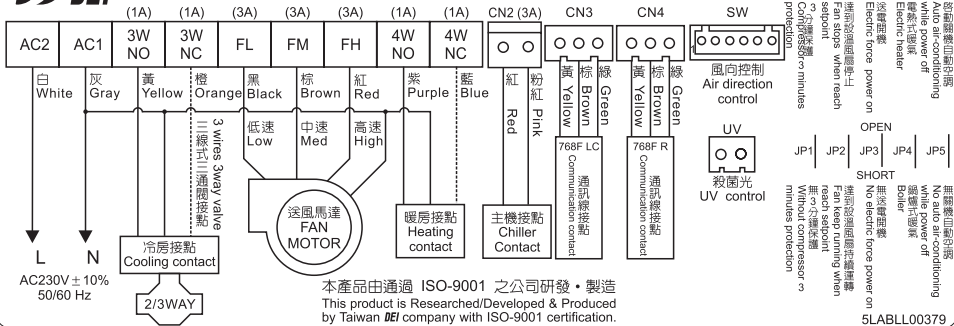




## 電源配線端子 Wiring terminal



本產品由通過 ISO-9001 之公司研發・製造  
This product is Researched/Developed & Produced  
by Taiwan DEI company with ISO-9001 certification.

## DEI-768F PWR -Version 01-

如無電壓輸出則  
Auto air-conditioning  
while power off  
 如無電壓輸出則  
Electric heater  
 如無電壓輸出則  
Electric force power on  
 如無電壓輸出則  
Fan stops when reach  
setpoint  
 如無電壓輸出則  
Compressor 3 minutes  
protection  
 如無電壓輸出則  
No auto air-conditioning  
while power off  
 如無電壓輸出則  
殺菌光  
Boiler  
 如無電壓輸出則  
No electric force power on  
 如無電壓輸出則  
Fan keep running when  
reach setpoint  
 如無電壓輸出則  
Without compressor 3  
minutes protection

5LABLL00379