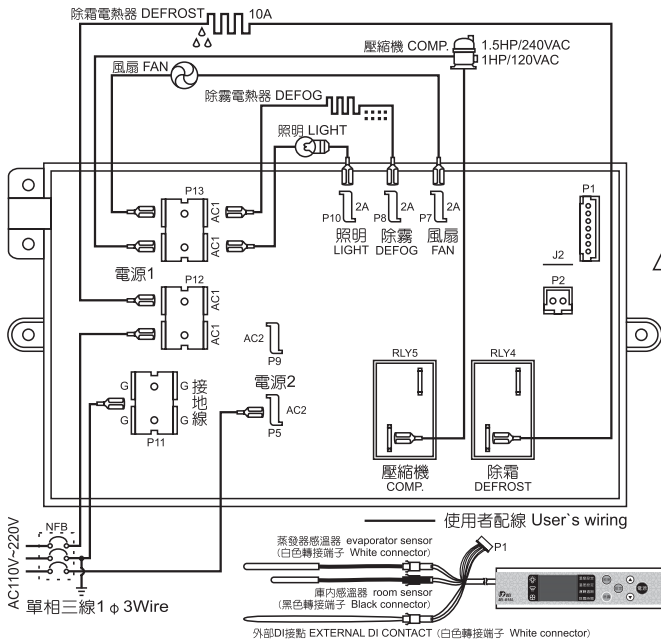




DEI-815L



- * P1：控制面板連接端子。
- * P2：高低壓保護開關接法，請洽業務人員。
- * 電源供應：AC 110V~220V ± 10% 單相、50/60Hz
- * 電源消耗：6W以內(不含各輸出接點)。
- * 溫度顯示範圍：-45℃~45℃ ± 1℃ or -45°F~99°F ± 2°F
- * 各輸出接點容量標示在配線圖，請勿超出容許範圍。
- * 機體為 110V / 220V 混用時，請將使用 110V 裝置的共線由AC1端子改接到G端子(單相三線220V之地線)。
- * 若使用AC110V，則負載容量減半。

⚠ 送電前請確認輸入電壓符合，錯接電壓而造成損壞時，不在本產品保固範圍。

- * P1：Connect with operation panel.
- * P2: Please contact with our sales about the HP/LP switch connection.
- * Power supply: AC 110V~220V ± 10% single phase、50/60Hz.
- * Power consumption: Max. 6Watt (Controller only).
- * Reading range: -45℃~45℃ ± 1℃ or -45°F~99°F ± 2°F.
- * The output contact capacity show in the wiring diagram. Do not over load.
- * If the compressor uses 220V, but the other devices are 110V, connect their common line to #G instead of #AC1
- * If using power AC 110V, the loading capacity will be half than original.

⚠ Before applying power to the unit, always check if the voltage set correctly according to the input voltage.

本產品由通過 ISO-9001 之公司研發·製造
This product is Researched/Developed & Produced
by Taiwan DEI company with ISO-9001 certification.