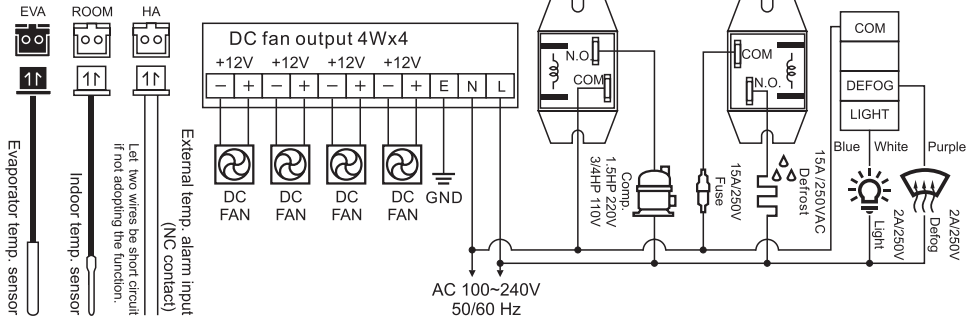





DEI - 819DFE/DRE



 Before supplying the power, please always check if the wiring and input power is connected correctly. This product is beyond our warrant if any damage is caused by incorrectly wiring.

- * Power consumption: Max. 5W
- * Temp. sensing range: $-40^{\circ}\text{C} \sim 70^{\circ}\text{C}$ (accuracy $\pm 1^{\circ}\text{C}$)
- * Over loading for each output contact is forbidden.
- * Evaporator temp. sensor and defrost contact are not available on DRE model.